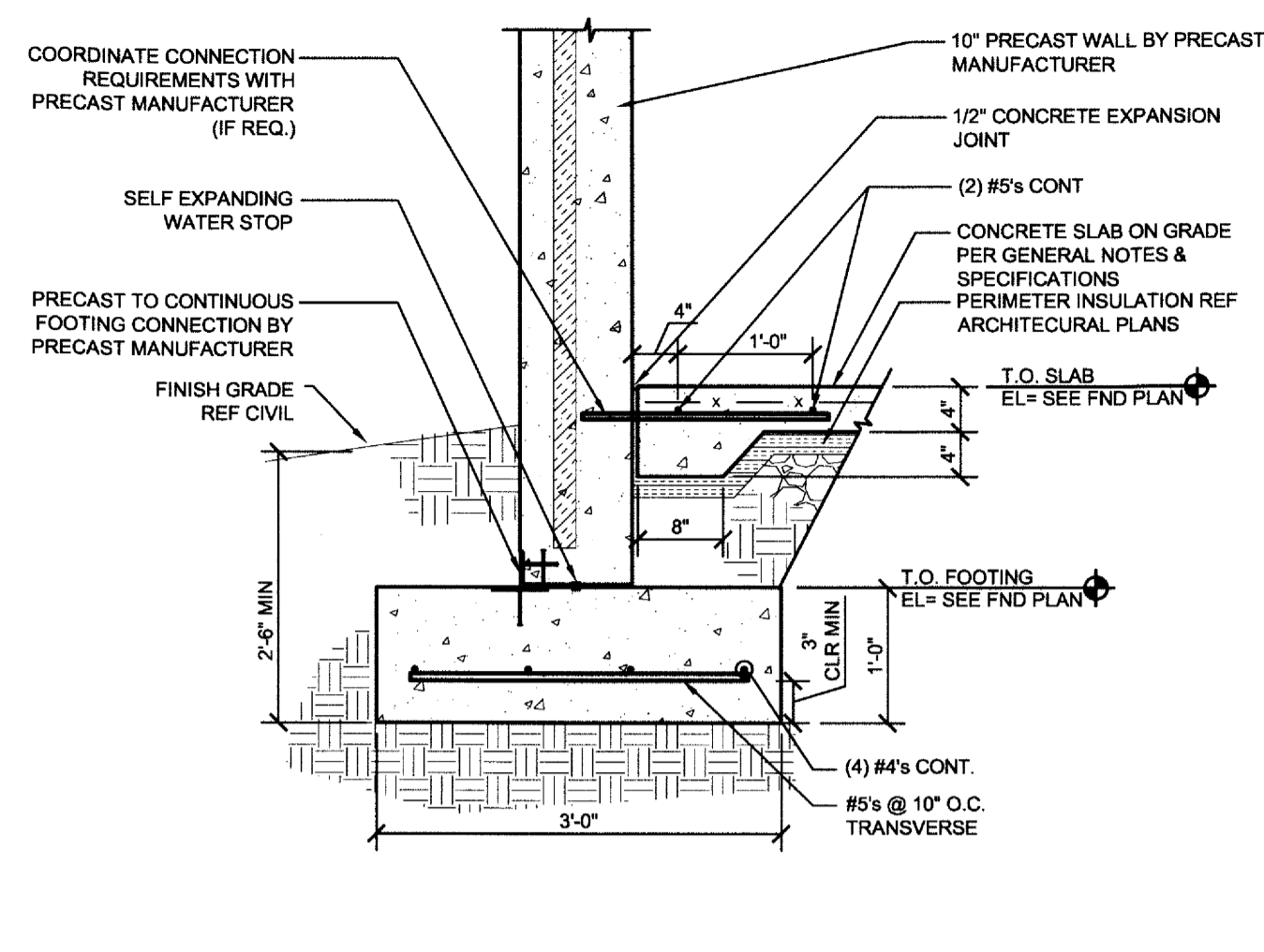
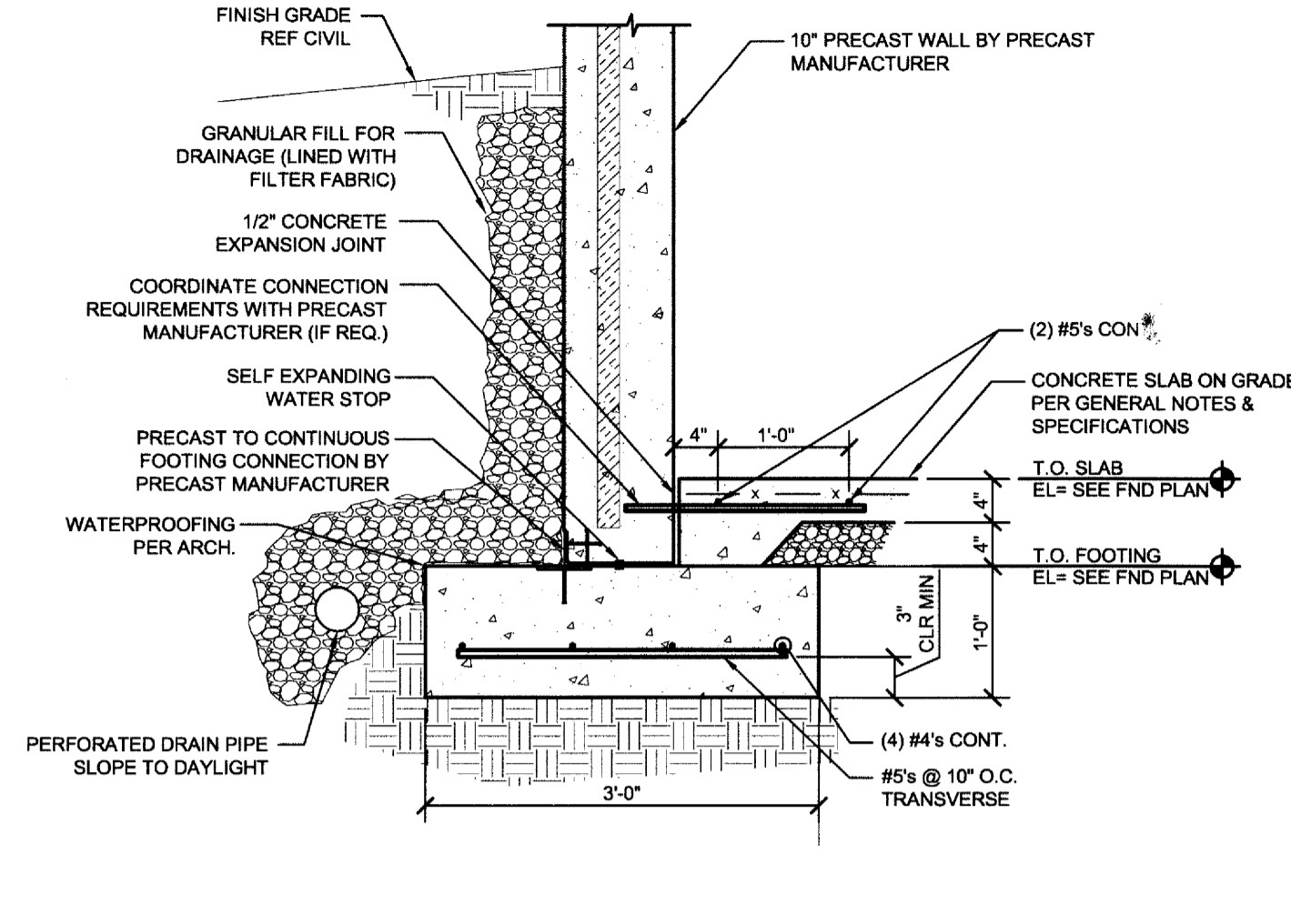


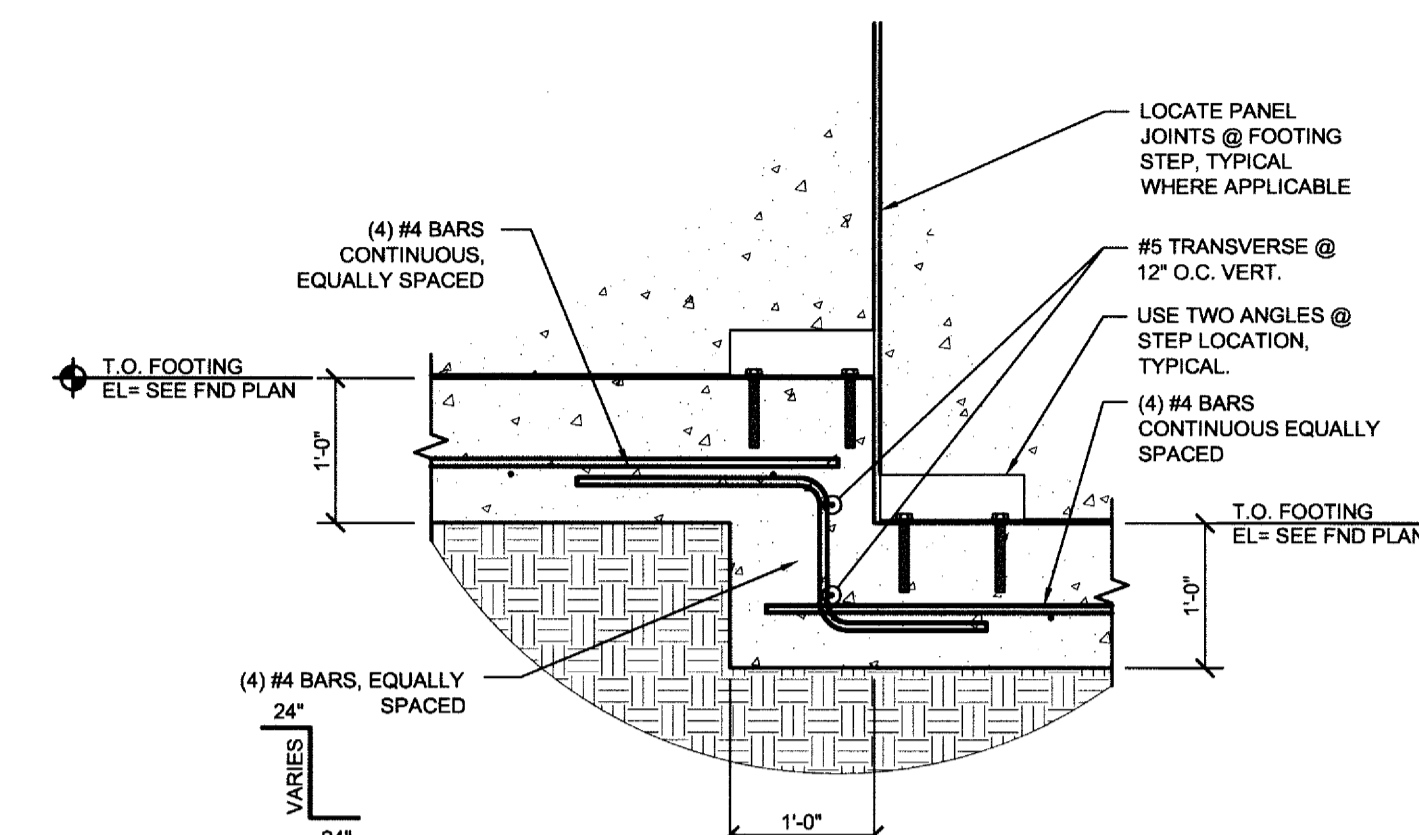
1 EXTERIOR WALL FOUNDATION
SCALE: 3/4"=1'-0"



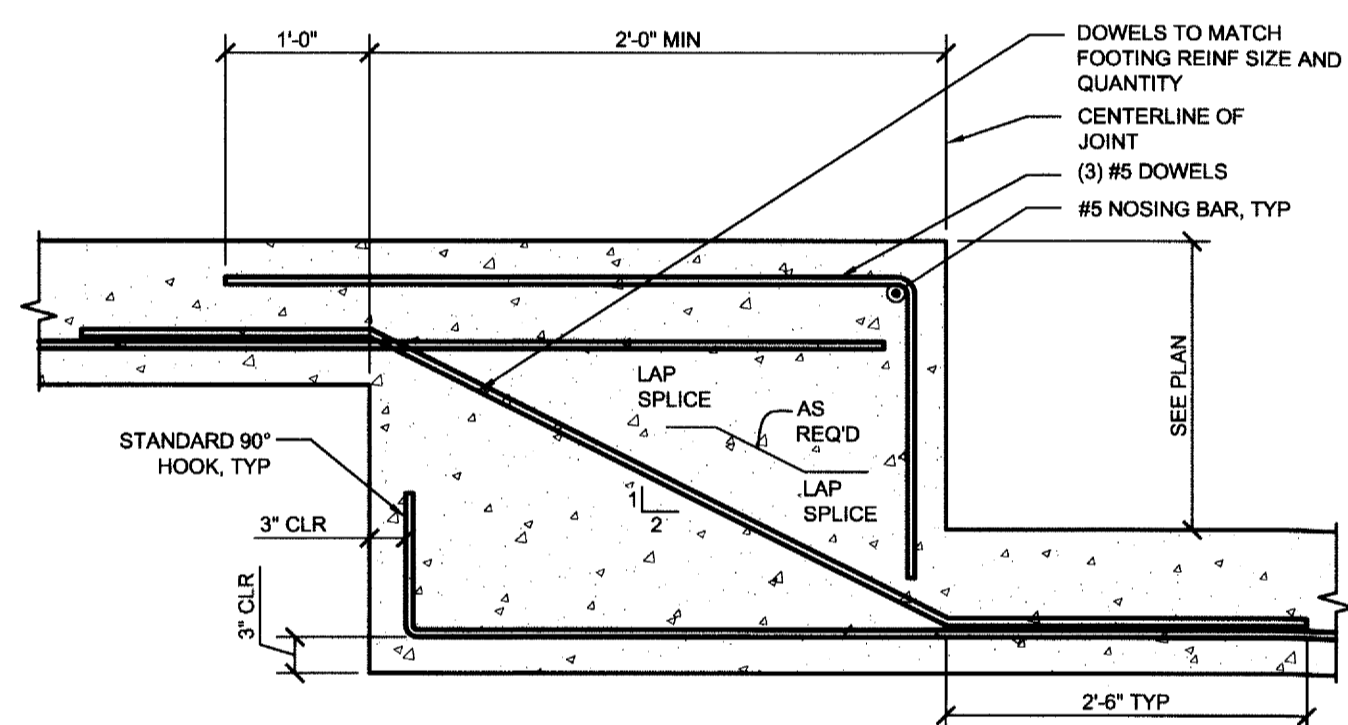
2 SECTION AT EXTERIOR WALL
SCALE: 3/4"=1'-0"



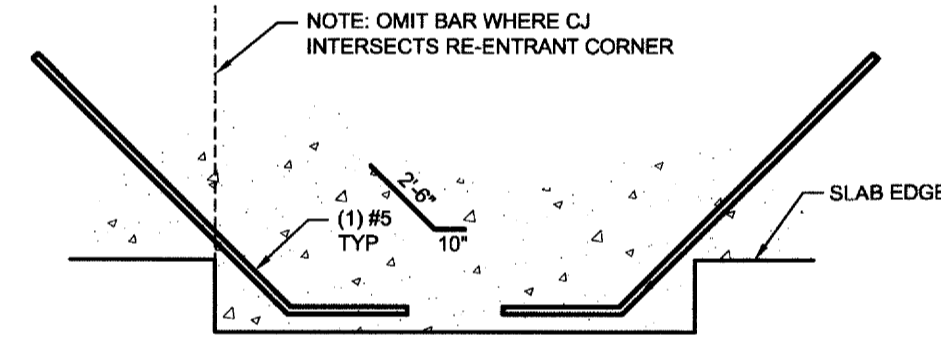
3 SECTION AT EXTERIOR WALL
SCALE: 3/4"=1'-0"



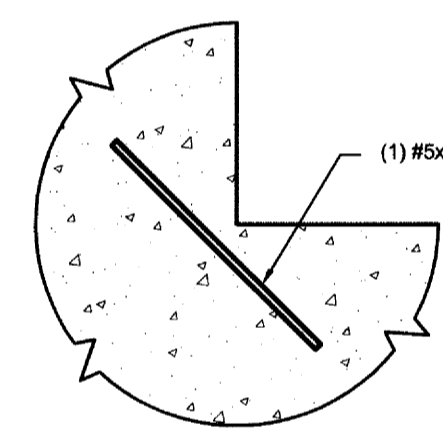
4 WALL PANELS @ STEPPED FOOTING
SCALE: 3/4"=1'-0"



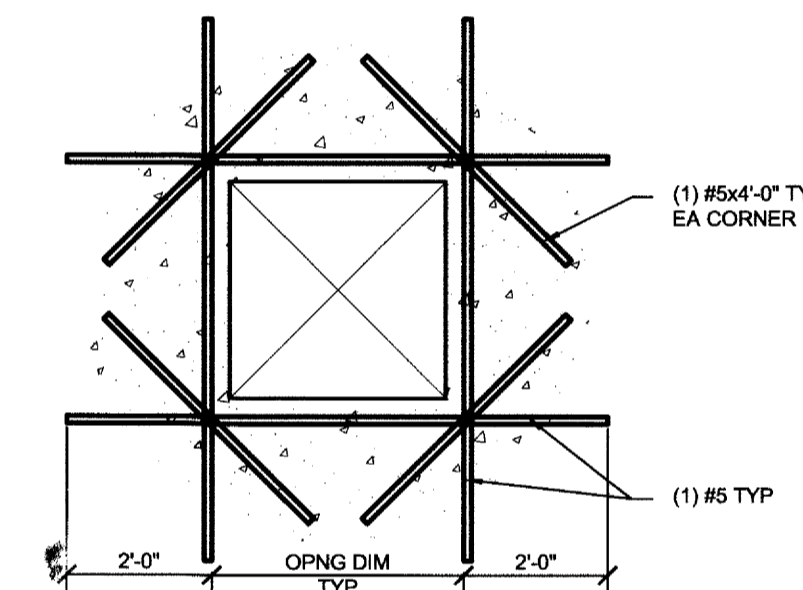
5 TYPICAL FOOTING STEP
SCALE: 3/4"=1'-0"



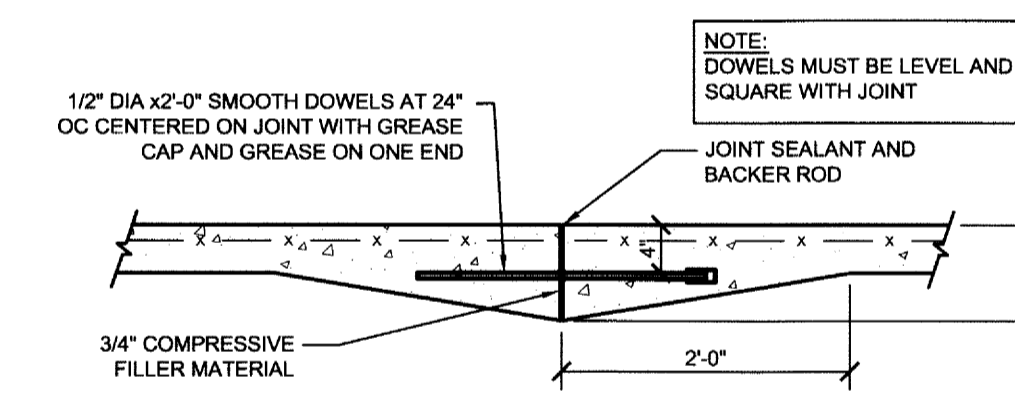
6 TYPICAL SLAB REINFORCING AT DOOR
SCALE: 3/4"=1'-0"



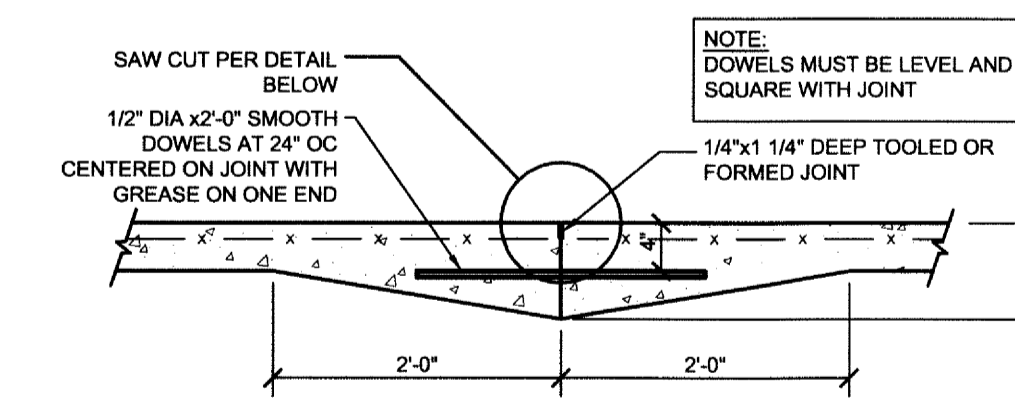
7 TYPICAL RE-ENTRANT CORNER REINF
SCALE: 3/4"=1'-0"



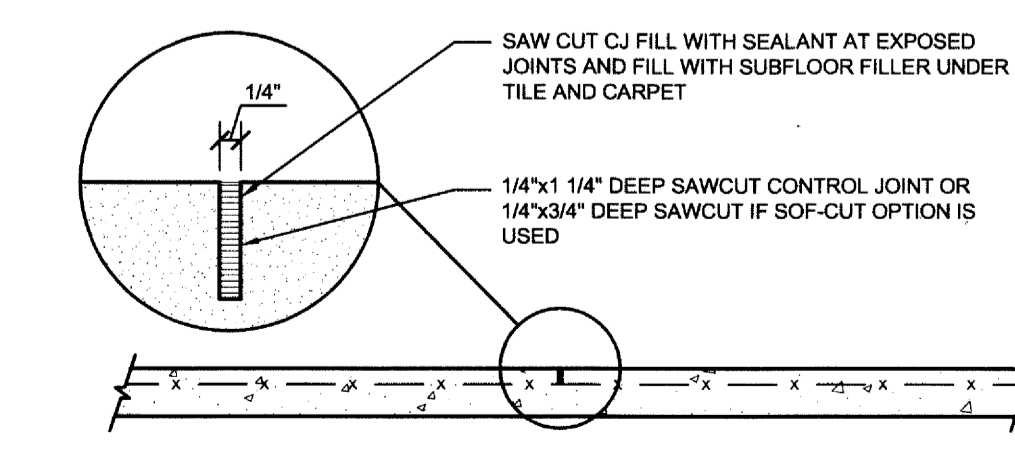
8 TYPICAL SLAB OPENING REINFORCING
SCALE: 3/4"=1'-0"



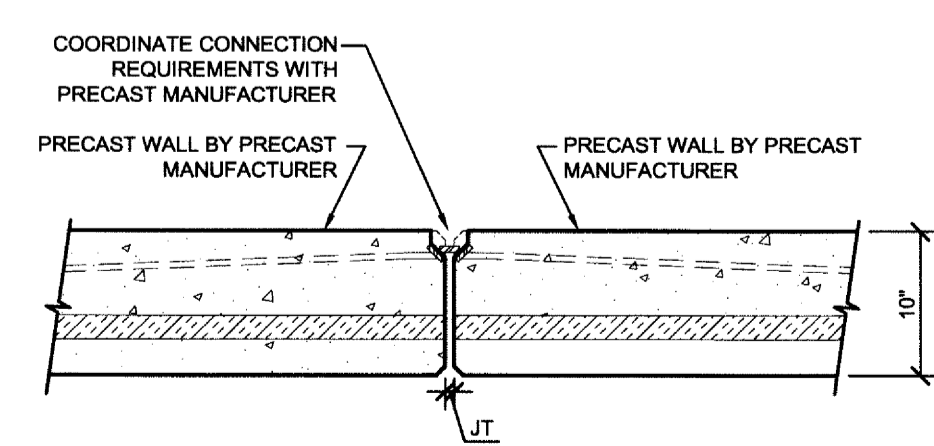
EXPANSION JOINT (EXP JOINT)



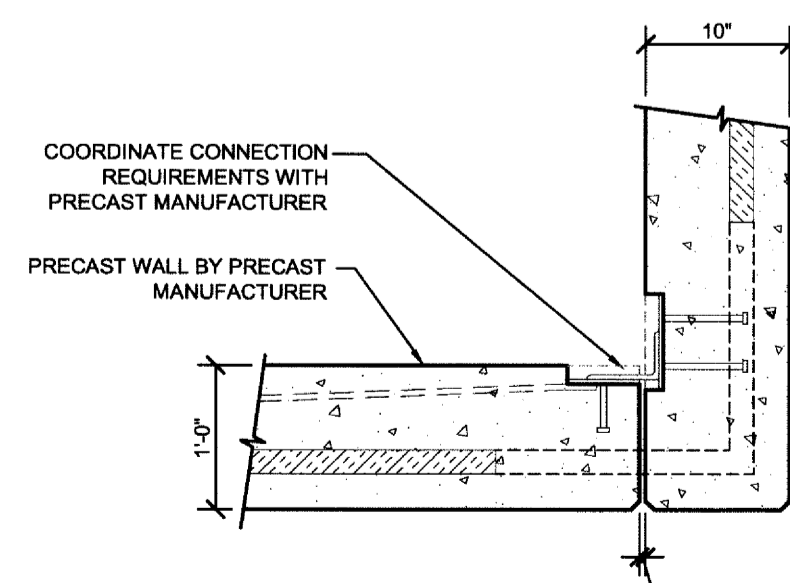
CONSTRUCTION JOINT (CONST JOINT)



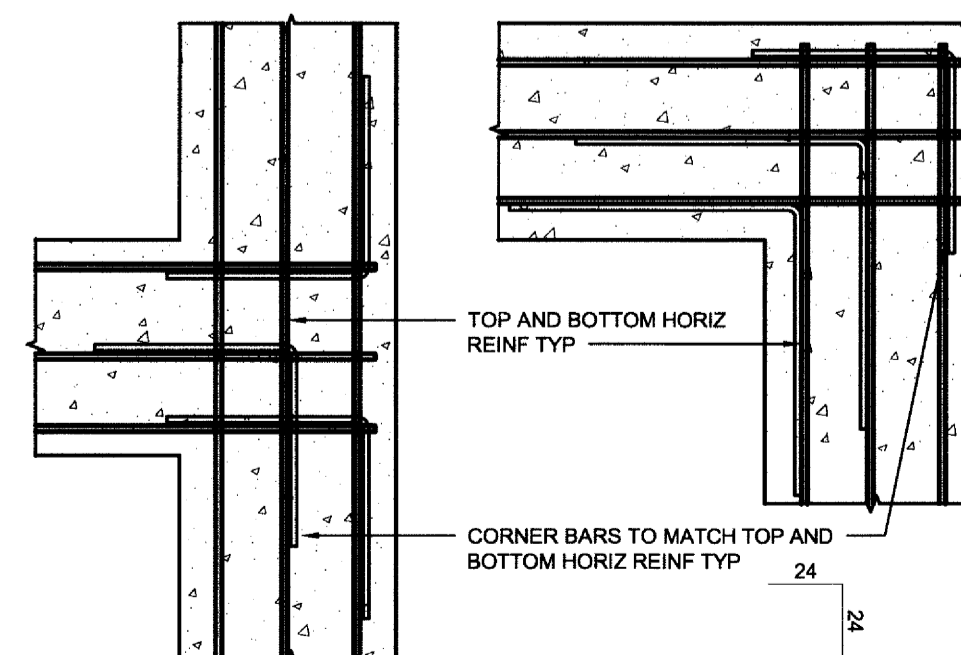
CONTROL JOINT (CJ)



9 PRECAST CONNECTION
SCALE: 3/4"=1'-0"



10 PRECAST CORNER CONNECTION
SCALE: 3/4"=1'-0"



11 CORNER BAR REINFORCING
SCALE: 3/4"=1'-0"

12 CONCRETE SLAB JOINTS
SCALE: 3/4"=1'-0"