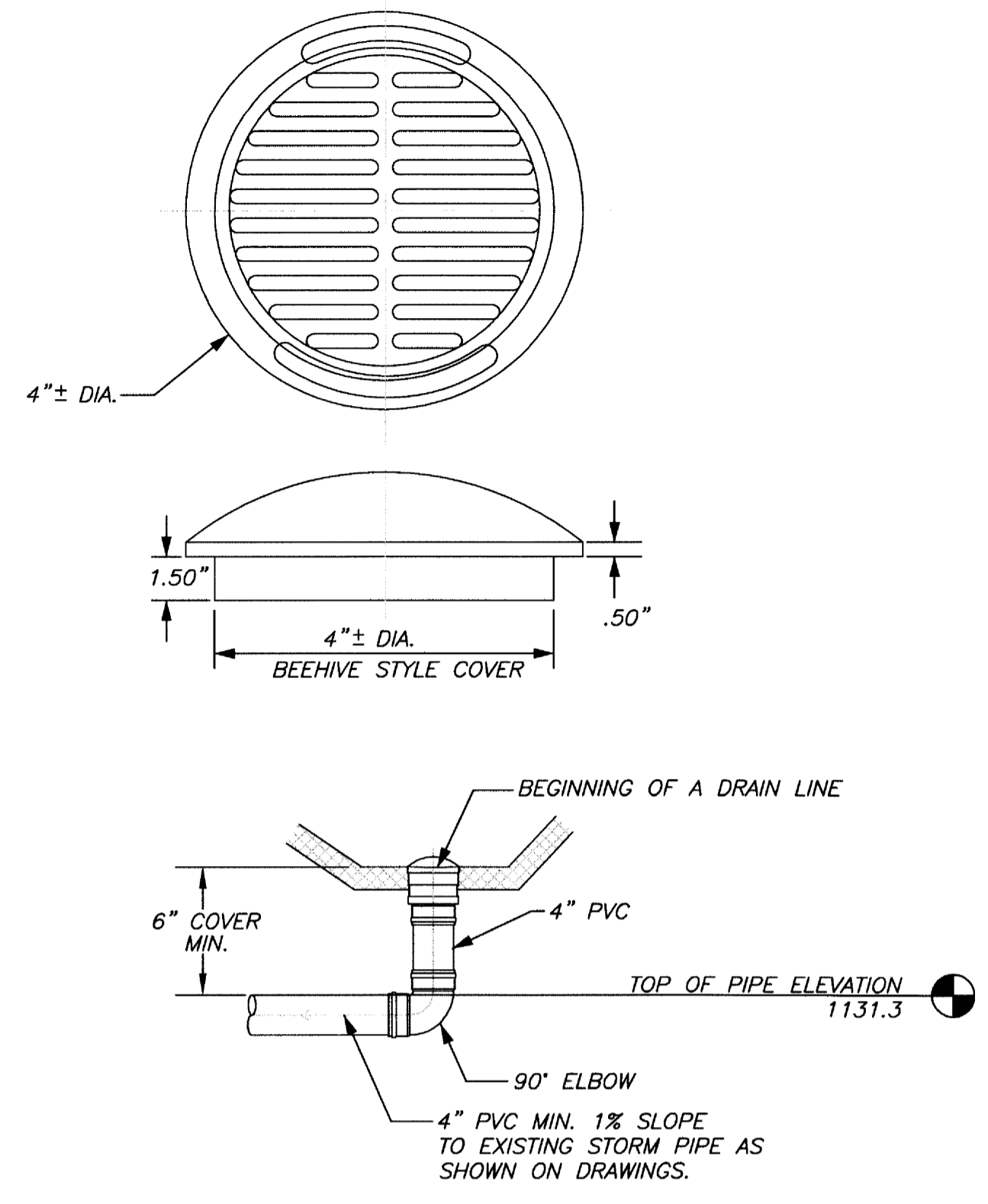
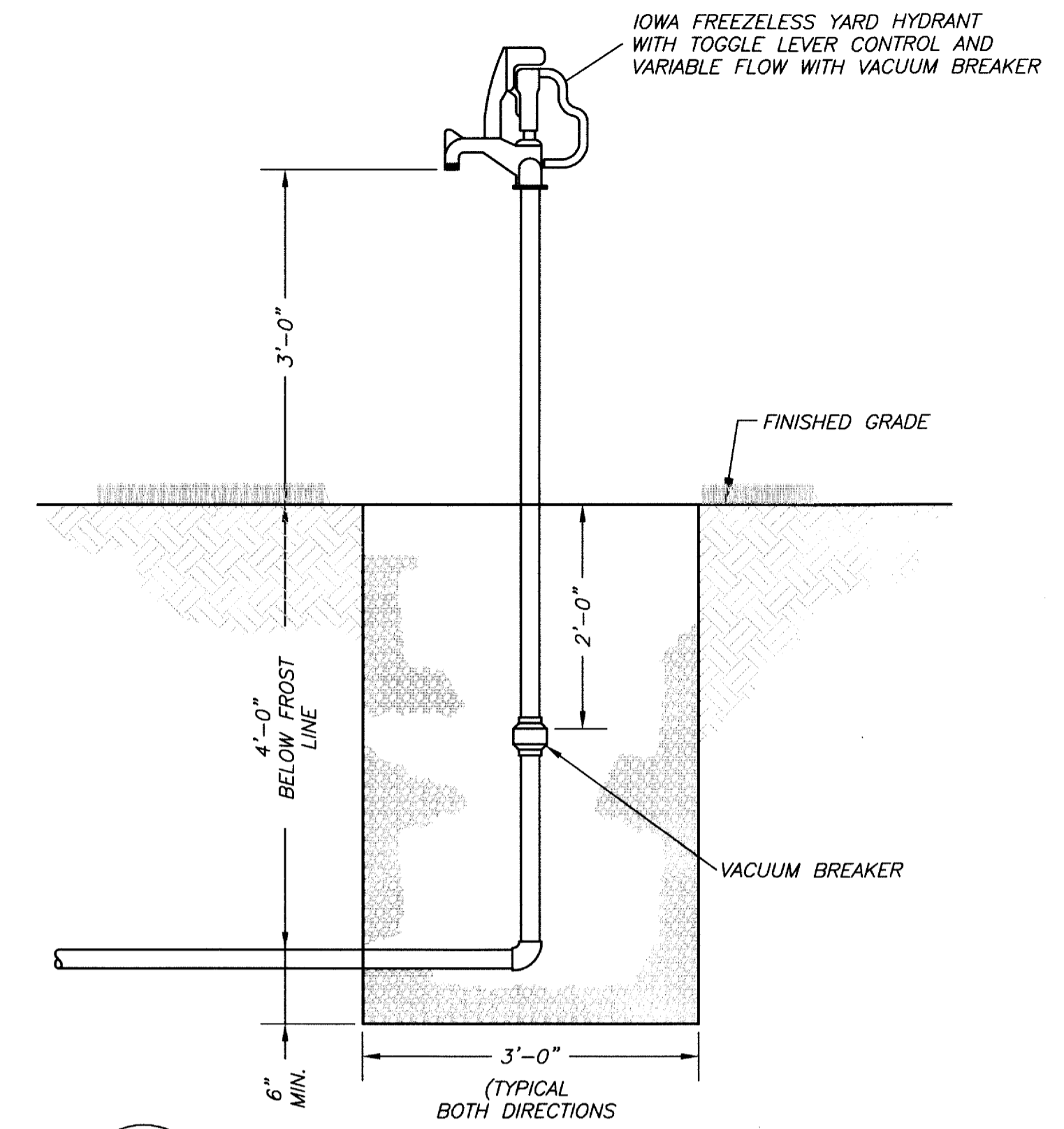


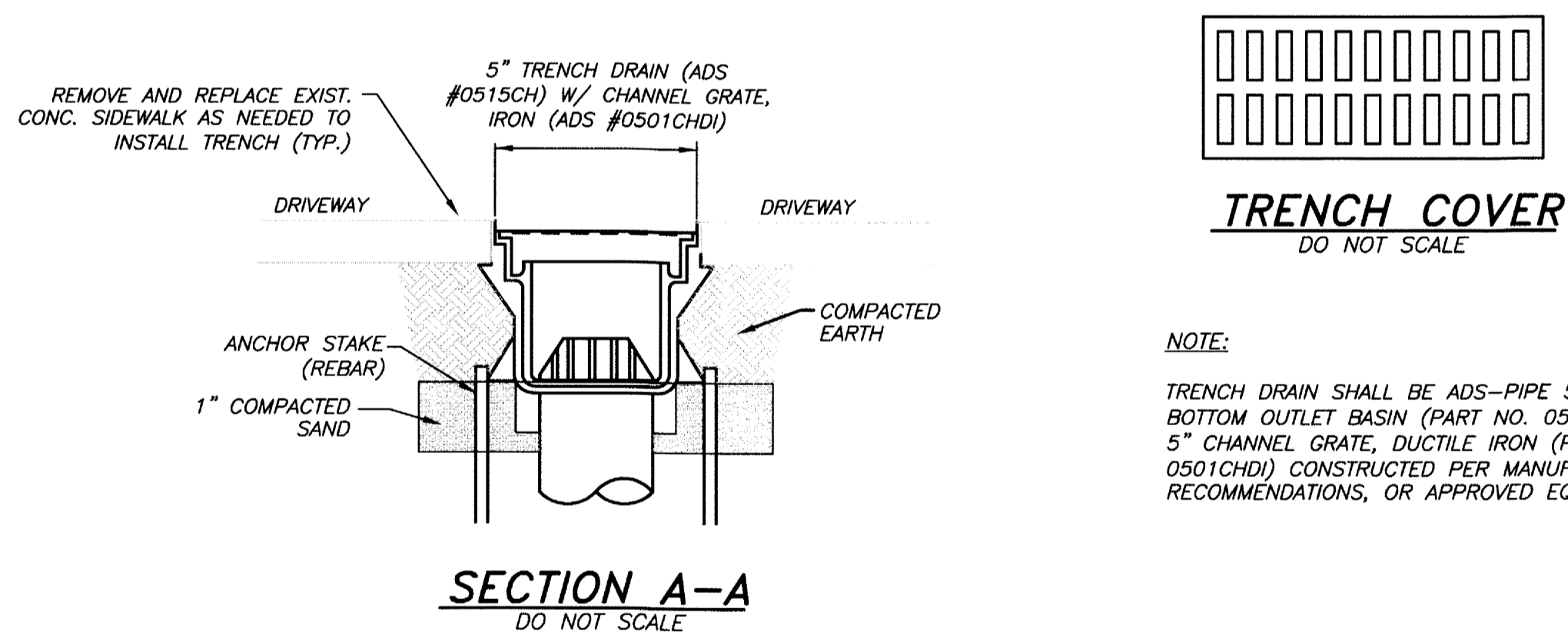
1 RAIN GARDEN DETAIL
DE-101 DO NOT SCALE



2 YARD INLET
DE-101 DO NOT SCALE

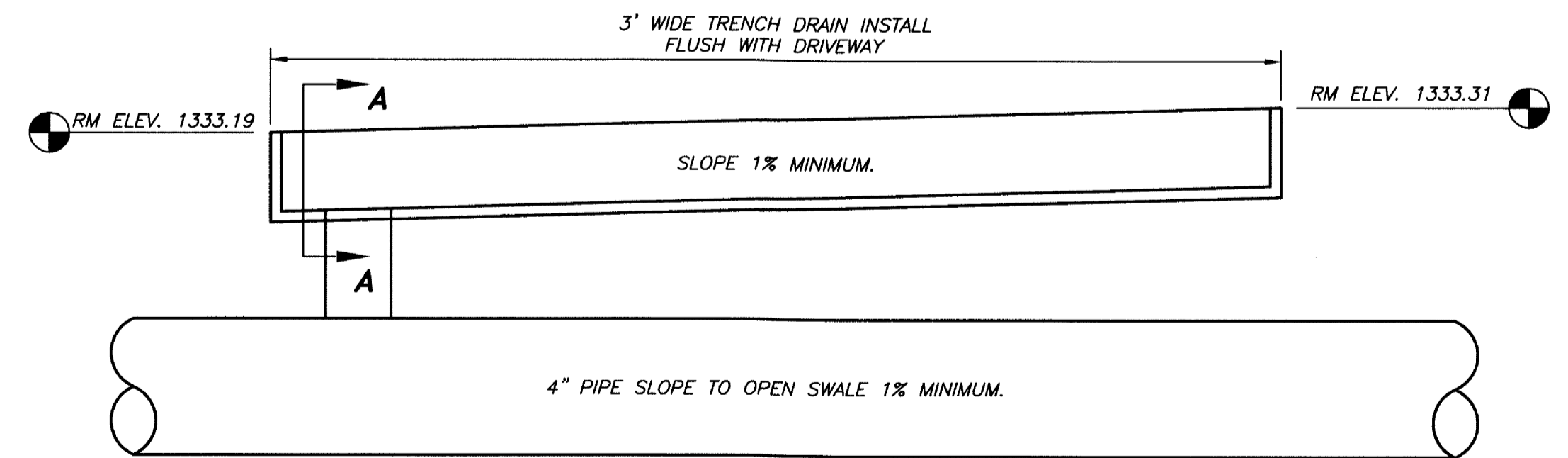


3 FREEZELESS YARD HYDRANT
DE-101 DO NOT SCALE

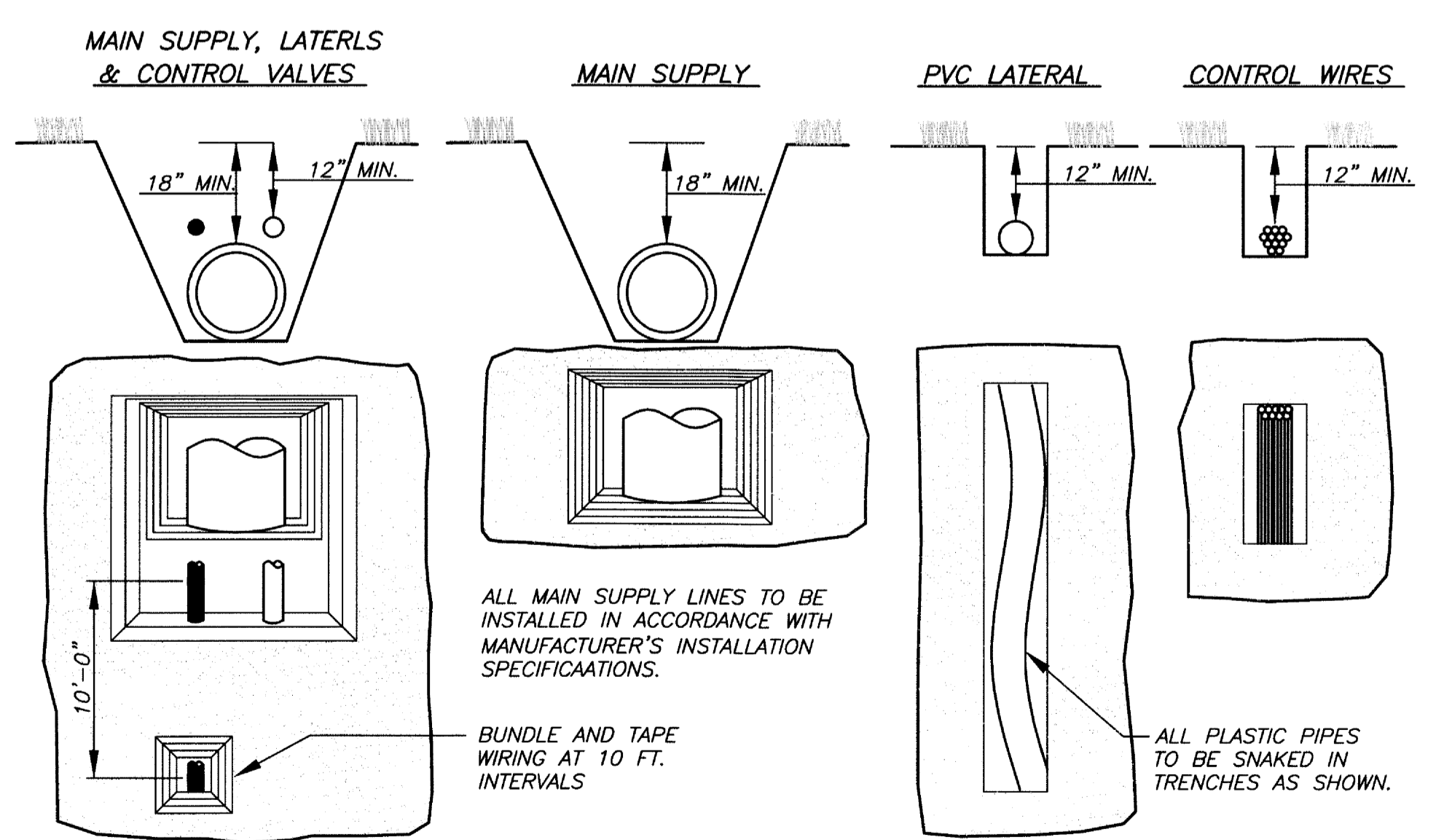


TRENCH COVER
DO NOT SCALE

NOTE:
TRENCH DRAIN SHALL BE ADS-PIPE 5" CHANNEL BOTTOM OUTLET BASIN (PART NO. 0515CH) W/ 5" CHANNEL GRATE, DUCTILE IRON (PART NO. 0501CHDI) CONSTRUCTED PER MANUFACTURER'S RECOMMENDATIONS, OR APPROVED EQUAL.



4 LIGHT DUTY TRENCH DRAIN
DE-101 DO NOT SCALE



5 TYPICAL TRENCHING DETAIL
DE-101 DO NOT SCALE

| | |
|---|-----------|
| Date | |
| Revision/Issue | |
| No. | |
| | |
| JERRY L. JACKSON-ARTHUR ENGINEER | |
| | |
| GREAT RIVER ASSOCIATES, INC. 2605 S. INGRAM MILL, SPRINGFIELD, MO 65904 PHONE: (417) 866-7777 FAX: (417) 866-7751 www.greatriverassoc.com | |
| | |
| CHECKED BY: | JLJ |
| DRAWN BY: | |
| JOB NUMBER: | 10-2980L |
| FILE NAME: | CHILES DE |
| NEW RESIDENCE FOR DAN & MARGY CHILES W FARM RD 124; BOIS D ARC, MO 65612 CONSTRUCTION DETAILS | |
| SHEET DE-101 | |